

ELITE OVEN 24

SKU: US-15269

FDV



GENERAL FEATURES

Built-in Oven
Functions: Timer, Defrosting, Bottom heat,
Conventional + Fan, Radiant grilling Double
grilling + fan, Convection.
Electronic Child Lock
Lamp

TECHNICAL INFORMATION

Voltage	240 V
Frequency	60 Hz
Total Power	3000 W
Product Weight	78.7 lbs.

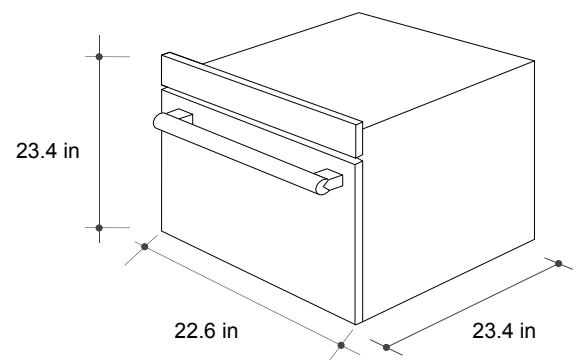
ACCESSORIES

Baking Tray
Baking Grid

CERTIFICATIONS

UL

BUILT-IN



Product Dimensions
(height x width x depth)
23.4 in x 22.6 in x 23.4 in

SPECT
SHEET